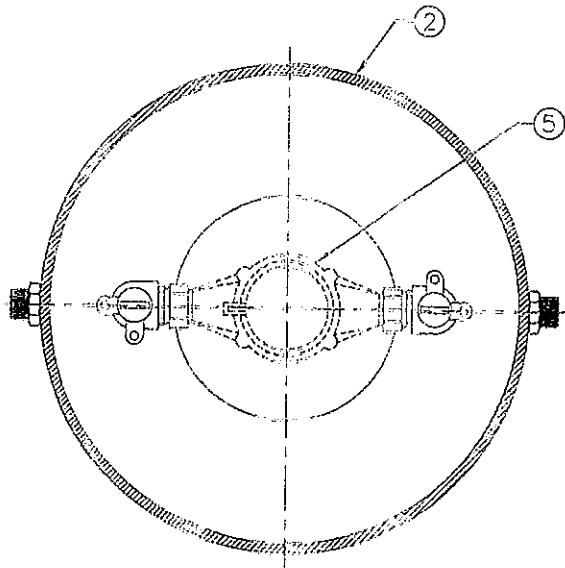


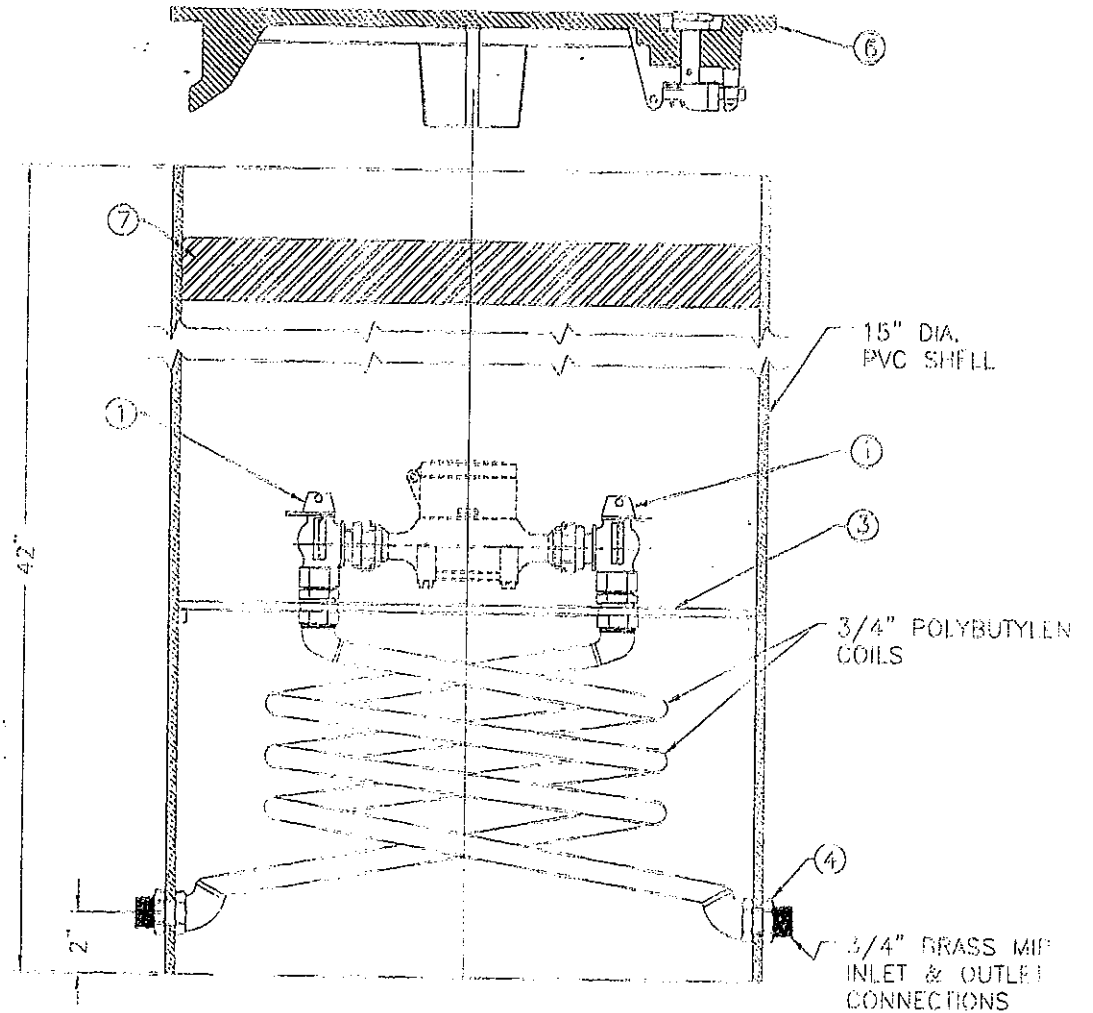
Ferguson 3845 Groveport Rd, Columbus, OH 43207 (614)-497-2323
 HD Supply 3015 E 17th Ave, Columbus, OH 43219 (614)-475-4376

ITEM	DESCRIPTION	PART NO.	REQ'D
1	5/8" X 3/4" FULL PORT BALL VALVE	B24265N	2
2	15" SHELL SUB-ASSEMBLY		1
3	STABILIZING PLATFORM		1
4	3/4" HEX NUT		4
5	METER (NOT INCLUDED)		
6	CAST IRON LID (OPTIONAL)	2B2924	
7	15" X 4" INSULATING PAD (OPTIONAL)	700022	

*NOTE: METER NOT INCLUDED



TOP VIEW



FRONT VIEW

203CS15421 FBSN

REV.	DESCRIPTION	REF.	CHK'D	APP.	DATE

SHEET NO. AGW 4/27/16 CHECKED BY BBI 4/27/16 FIG. NUMBER 	THIRD ANGLE PROJECTION DESIGN: 1/2" X 3/4" COP SINGLE METER FOR 15" DIA X 4" DEPTH LOW LEAD URAGE	ATT. NO. NON DRAWING NO. REV. 203CS15421 SHEET 1 OF 1
--	---	---